

SIEMENS

SIMATIC

ET 200SP

Analog input module

AI 2xI 2/4-wire ST

(6ES7134-6GB00-0BA1)

Equipment Manual

Introduction

1

Industrial cybersecurity

2

Product overview

3

Wiring

4

Parameters/address space

5

Interrupts/diagnostics alarms

6

Technical specifications

7

Parameter data record

A




Representation of analog values

B

Legal information

Warning notice system

This manual contains notices you have to observe in order to ensure your personal safety, as well as to prevent damage to property. The notices referring to your personal safety are highlighted in the manual by a safety alert symbol, notices referring only to property damage have no safety alert symbol. These notices shown below are graded according to the degree of danger.

 DANGER
indicates that death or severe personal injury will result if proper precautions are not taken.
 WARNING
indicates that death or severe personal injury may result if proper precautions are not taken.
 CAUTION
indicates that minor personal injury can result if proper precautions are not taken.
NOTICE
indicates that property damage can result if proper precautions are not taken.


If more than one degree of danger is present, the warning notice representing the highest degree of danger will be used. A notice warning of injury to persons with a safety alert symbol may also include a warning relating to property damage.

Qualified Personnel

The product/system described in this documentation may be operated only by **personnel qualified** for the specific task in accordance with the relevant documentation, in particular its warning notices and safety instructions. Qualified persons are those who, because of their training and experience, are familiar with the installation, assembly, commissioning, operation, decommissioning and disassembly of the product and can recognize risks and avoid possible hazards.

Proper use of Siemens products

Note the following:

 WARNING
Siemens products may only be used for the application described in the catalog and the associated usage information. If products and components from other manufacturers are used, these must be recommended or approved by Siemens. Proper transport, storage, installation, assembly, commissioning, operation and maintenance are required to ensure that the products operate safely and without any problems. The permissible ambient conditions must be complied with. The information in the relevant documentation must be observed.

Trademarks

All names identified by ® are registered trademarks of Siemens Aktiengesellschaft. The remaining trademarks in this publication may be trademarks whose use by third parties for their own purposes could violate the rights of the owner.

Disclaimer of Liability

We have reviewed the contents of this publication to ensure consistency with the hardware and software described. Since variance cannot be precluded entirely, we cannot guarantee full consistency. However, the information in this publication is reviewed regularly and any necessary corrections are included in subsequent editions.

Table of contents

1	Introduction.....	5
1.1	ET 200SP Documentation Guide.....	6
1.1.1	SIMATIC Technical Documentation.....	8
1.1.2	Tool support.....	10
1.1.3	Additional tools.....	12
1.1.3.1	MultiFieldbus Configuration Tool (MFCT).....	12
2	Industrial cybersecurity.....	13
2.1	Introduction to industrial cybersecurity.....	13
2.2	Cybersecurity information.....	13
2.3	Cybersecurity-relevant information.....	14
3	Product overview.....	15
3.1	Properties.....	15
4	Wiring.....	18
4.1	Connection diagram.....	18
4.2	System structure with BaseCarrier.....	19
4.3	Schematic circuit diagram.....	20
5	Parameters/address space.....	21
5.1	Measurement types and measuring ranges.....	21
5.2	Parameters.....	21
5.3	Description of parameters.....	23
5.4	Address space.....	25
6	Interrupts/diagnostics alarms.....	28
6.1	Status and error displays.....	28
6.2	Interrupts.....	30
6.2.1	Triggering of a diagnostics interrupt.....	30
6.2.2	Triggering of a maintenance event.....	30
6.3	Alarms.....	31
6.3.1	Diagnostics alarms.....	31
6.3.2	Maintenance alarms.....	32
7	Technical specifications.....	33
7.1	Technical specifications.....	33

A	Parameter data record.....	38
A.1	Dependencies when configuring with GSD file.....	38
A.2	Parameter assignment and structure of the parameter data record.....	39
A.3	Coding for measurement types.....	41
A.4	Coding for measuring ranges.....	41
A.5	Error transferring the data record.....	41
B	Representation of analog values.....	43
B.1	Representation of analog values for analog inputs.....	43
B.2	Representation of input ranges.....	43
B.3	Representation of analog values in the current measuring ranges.....	44

Introduction

Purpose of the documentation

This manual supplements the ET 200SP distributed I/O system (<https://support.automation.siemens.com/WW/view/en/58649293>) system manual.

Functions that generally relate to the system are described in this manual.

The information provided in this manual and in the system/function manuals supports you in commissioning the system.

Changes compared to the previous version

Compared to the previous version, this manual contains the following changes:

- Wiring and block diagrams have been revised.
- Technical specifications have been updated.
- Security features have been added.

Conventions

CPU: When the term "CPU" is used in this manual, it applies to the CPUs of the S7-1500 automation system as well as to the CPUs/interface modules of the distributed I/O system ET 200SP.

STEP 7: In this documentation, "STEP 7" is used as a synonym for all versions of the configuration and programming software "STEP 7 (TIA Portal)".

Please also observe notes marked as follows:

NOTE

A note contains important information on the product described in the documentation, on the handling of the product or on the section of the documentation to which particular attention should be paid.

Recycling and disposal

For environmentally friendly recycling and disposal of your old equipment, contact a certified electronic waste disposal company and dispose of the equipment according to the applicable regulations in your country.

1.1 ET 200SP Documentation Guide



The documentation for the SIMATIC ET 200SP distributed I/O system is arranged into three areas.

This arrangement enables you to access the specific content you require.

You can download the documentation free of charge from the Internet (<https://support.industry.siemens.com/cs/ww/en/view/109742709>).

Basic information



The System Manual describes in detail the configuration, installation, wiring and commissioning of the SIMATIC ET 200SP distributed I/O system.

The STEP 7 online help supports you in the configuration and programming.

Examples:

- ET 200SP System Manual
- System Manual ET 200SP HA/ET 200SP modules for devices used in a hazardous area
- Online help TIA Portal

Device information



Equipment manuals contain a compact description of the module-specific information, such as properties, wiring diagrams, characteristics and technical specifications.

Examples:

- Equipment Manuals CPUs
- Equipment Manuals Interface Modules
- Equipment Manuals Digital Modules
- Equipment Manuals Analog Modules
- Equipment Manuals Motor Starter
- BaseUnits Equipment Manuals
- Equipment Manual Server Module
- Equipment Manuals Communications Modules
- Equipment Manuals Technology Modules

General information



The function manuals contain detailed descriptions on general topics relating to the SIMATIC ET 200SP distributed I/O system.

Examples:

- Function Manual ET 200AL/ET 200SP Mixed Configuration
- Function Manual Diagnostics
- Function Manual Communication
- PROFINET Function Manual
- PROFIBUS Function Manual
- Function Manual Designing Interference-free Controllers
- MultiFieldbus Function Manual

Product Information

Changes and supplements to the manuals are documented in a Product Information. The Product Information takes precedence over the device and system manuals.

You can find the latest Product Information on the ET 200SP distributed I/O system on the Internet. (<https://support.industry.siemens.com/cs/de/en/view/73021864>)

Manual Collection ET 200SP

The Manual Collection contains the complete documentation on the SIMATIC ET 200SP distributed I/O system gathered together in one file.

You can find the Manual Collection on the Internet.

(<https://support.industry.siemens.com/cs/ww/en/view/84133942>)

Manual Collection fail-safe modules

The Manual Collection contains the complete documentation on the fail-safe SIMATIC modules, gathered together in one file.

You can find the Manual Collection on the Internet.

1.1.1 SIMATIC Technical Documentation

Additional SIMATIC documents will complete your information. You can find these documents and their use at the following links and QR codes.

The Industry Online Support gives you the option to get information on all topics. Application examples support you in solving your automation tasks.

Overview of the SIMATIC Technical Documentation

Here you will find an overview of the SIMATIC documentation available in Siemens Industry Online Support:



Industry Online Support International

<https://support.industry.siemens.com/cs/ww/en/view/109742705>

Watch this short video to find out where you can find the overview directly in Siemens Industry Online Support and how to use Siemens Industry Online Support on your mobile device:



Quick introduction to the technical documentation of automation products per video <https://support.industry.siemens.com/cs/us/en/view/109780491>



YouTube video: Siemens Automation Products - Technical Documentation at a Glance <https://youtu.be/TwLSxxRQsA>

Retention of the documentation

Retain the documentation for later use.

For documentation provided in digital form:

1. Download the associated documentation after receiving your product and before initial installation/commissioning. Use the following download options:
 - Industry Online Support International: <https://support.industry.siemens.com>
The article number is used to assign the documentation to the product. The article number is specified on the product and on the packaging label. Products with new, non-compatible functions are provided with a new article number and documentation.
 - ID link:
Your product may have an ID link. The ID link is a QR code with a frame and a black frame corner at the bottom right. The ID link takes you to the digital nameplate of your product. Scan the QR code on the product or on the packaging label with a smartphone camera, barcode scanner, or reader app. Call up the ID link.
2. Retain this version of the documentation.

Updating the documentation

The documentation of the product is updated in digital form. In particular in the case of function extensions, the new performance features are provided in an updated version.

1. Download the current version as described above via the Industry Online Support or the ID link.
2. Also retain this version of the documentation.

mySupport

With "mySupport" you can get the most out of your Industry Online Support.

Registration	You must register once to use the full functionality of "mySupport". After registration, you can create filters, favorites and tabs in your personal workspace.
Support requests	Your data is already filled out in support requests, and you can get an overview of your current requests at any time.
Documentation	In the Documentation area you can build your personal library.
Favorites	You can use the "Add to mySupport favorites" to flag especially interesting or frequently needed content. Under "Favorites", you will find a list of your flagged entries.
Recently viewed articles	The most recently viewed pages in mySupport are available under "Recently viewed articles".
CAX data	The CAX data area gives you access to the latest product data for your CAX or CAe system. You configure your own download package with a few clicks: <ul style="list-style-type: none"> • Product images, 2D dimension drawings, 3D models, internal circuit diagrams, EPLAN macro files • Manuals, characteristics, operating manuals, certificates • Product master data

You can find "mySupport" on the Internet. (<https://support.industry.siemens.com/My/ww/en>)

Application examples

The application examples support you with various tools and examples for solving your automation tasks. Solutions are shown in interplay with multiple components in the system - separated from the focus on individual products.

You can find the application examples on the Internet. (<https://support.industry.siemens.com/cs/ww/en/ps/ae>)

AI-powered online support chat

The "AskSUPPORT" function is an advanced AI-controlled platform that gives you access to the powerful knowledge base of the Siemens Support Portal (<https://sieportal.siemens.com/en-de/support>). You do not just receive mechanical answers to your questions, but precise, interactive informational material. This allows you to effectively speed up your research and decision processes.

The following link (<https://support.industry.siemens.com/cs/ww/en/view/109974274>) provides current information on the availability of AskSUPPORT:

You can also access the entry by means of the "AI powered Online Support Chat" command in the "Help" menu in TIA Portal.

1.1.2 Tool support

Tools

The tools described below support you in all steps: from planning, over commissioning, all the way to analysis of your system.

TIA Selection Tool

The TIA Selection Tool tool supports you in the selection, configuration, and ordering of devices for Totally Integrated Automation (TIA).

As successor of the SIMATIC Selection Tools, the TIA Selection Tool assembles the already known configurators for automation technology into a single tool.

With the TIA Selection Tool, you can generate a complete order list from your product selection or product configuration.

You can find the TIA Selection Tool on the Internet.

(<https://support.industry.siemens.com/cs/ww/en/view/109767888>)

SIMATIC Automation Tool

You can use the SIMATIC Automation Tool to perform commissioning and maintenance activities on various SIMATIC S7 stations as bulk operations independent of TIA Portal.

The SIMATIC Automation Tool offers a wide range of functions:

- Scanning of a PROFINET/Ethernet system network and identification of all connected CPUs
- Assignment of addresses (IP, subnet, Gateway) and device name (PROFINET device) to a CPU
- Transfer of the date and the programming device/PC time converted to UTC time to the module
- Program download to CPU
- RUN/STOP mode switchover
- CPU localization through LED flashing
- Reading out of CPU error information
- Reading the CPU diagnostic buffer
- Reset to factory settings
- Firmware update of the CPU and connected modules

You can find the SIMATIC Automation Tool on the Internet.

(<https://support.industry.siemens.com/cs/ww/en/view/98161300>)

PRONETA

SIEMENS PRONETA (PROFINET network analysis) is a commissioning and diagnostic tool for PROFINET networks. PRONETA Basic has two core functions:

- In the network analysis, you get an overview of the PROFINET topology. Compare a real configuration with a reference installation or make simple parameter changes, e.g. to the names and IP addresses of the devices.
- The "IO test" is a simple and rapid test of the wiring and the module configuration of a plant, including documentation of the test results.

You can find SIEMENS PRONETA Basic on the Internet:

(<https://support.industry.siemens.com/cs/ww/en/view/67460624>)

SIEMENS PRONETA Professional is a licensed product that offers you additional functions. It offers you simple asset management in PROFINET networks and supports operators of automation systems in automatic data collection/acquisition of the components used through various functions:

- The user interface (API) offers an access point to the automation cell to automate the scan functions using MQTT or a command line.
- With PROFlenergy diagnostics, you can quickly detect the current pause mode or the readiness for operation of devices that support PROFlenergy and change these as needed.
- The data record wizard supports PROFINET developers in reading and writing acyclic PROFINET data records quickly and easily without PLC and engineering.

You can find SIEMENS PRONETA Professional on the Internet.

(<https://www.siemens.com/proneta-professional>)

SINETPLAN

SINETPLAN, the Siemens Network Planner, supports you in planning automation systems and networks based on PROFINET. The tool facilitates professional and predictive dimensioning of your PROFINET installation as early as in the planning stage. In addition, SINETPLAN supports you during network optimization and helps you to exploit network resources optimally and to plan reserves. This helps to prevent problems in commissioning or failures during productive operation even in advance of a planned operation. This increases the availability of the production plant and helps improve operational safety.

The advantages at a glance

- Network optimization thanks to port-specific calculation of the network load
- Increased production availability thanks to online scan and verification of existing systems
- Transparency before commissioning through importing and simulation of existing STEP 7 projects
- Efficiency through securing existing investments in the long term and the optimal use of resources

You can find SINETPLAN on the Internet

(<https://new.siemens.com/global/en/products/automation/industrial-communication/profinet/sinetplan.html>).

1.1.3 Additional tools

1.1.3.1 MultiFieldbus Configuration Tool (MFCT)

MultiFieldbus Configuration Tool

MultiFieldbus Configuration Tool (MFCT) is PC-based software and supports the configuration of MultiFieldbus-Devices and DALI-modules. In addition, the MFCT offers convenient options for bulk firmware updating of ET 200 devices with MultiFieldbus-support and reading of service data for many other Siemens devices.

Functional scope of the MFCT

- MultiFieldbus configuration:
Engineering, configuration and diagnostics of MultiFieldbus-devices, provision of the required project files (project, UDT-, CSV- and EDS-file), transfer/export of the files to device and/or data memory.
- DALI configuration:
Device selection and online configuration of DALI modules.
- TM FAST:
Generation and download of FPGA-UPD- and FPGA-DB-files.
- Maintenance:
Topology scan of a Ethernet network, reading of service data, parameter assignment and firmware update.
- Settings:
Language switching German / English, network scanner speed, setting of the network adapter, installation of GSDML-and EDS-files.

System/installation requirements for MFCT

The MFCT runs under Microsoft Windows and does not require installation or administrator rights.

For MFCT you must also install the following software:

- Microsoft .NET Framework 4.8 (You can find an Offline Installer on the Internet. (<https://support.microsoft.com/en-us/topic/microsoft-net-framework-4-8-offline-installer-for-windows-9d23f658-3b97-68ab-d013-aa3c3e7495e0>))
- NPcap from directory "Misc"
- PG/PC interface from directory "Misc"
- Microsoft C++ Redistributable for x86-systems (you can find the installation data for download on the Internet. (https://aka.ms/vs/15/release/vc_redist.x86.exe))

The download of the tool and further information as well as documentation on the individual functions of the MFCT can be found on the Internet.

(<https://support.industry.siemens.com/cs/ww/en/view/109773881>)

Industrial cybersecurity

2.1 Introduction to industrial cybersecurity

Digitalization and the increasing networking of machines and industrial plants are also increasing the risk of cyberattacks. Appropriate protective measures are therefore mandatory, particularly in the case of critical infrastructure facilities.

Refer to the general information and measures on the subject of industrial cybersecurity in the ET 200SP Distributed I/O System

(<https://support.industry.siemens.com/cs/ww/en/view/58649293>) System Manual.

This section provides an overview of security-relevant information pertaining to your SIEMENS device.

2.2 Cybersecurity information

Siemens provides products and solutions with industrial cybersecurity functions that support the secure operation of plants, systems, machines and networks.

In order to protect plants, systems, machines and networks against cyber threats, it is necessary to implement – and continuously maintain – a holistic, state-of-the-art industrial cybersecurity concept. Siemens' products and solutions constitute one element of such a concept.

Customers are responsible for preventing unauthorized access to their plants, systems, machines and networks. Such systems, machines and components should only be connected to an enterprise network or the internet if and to the extent such a connection is necessary and only when appropriate security measures (e.g. firewalls and/or network segmentation) are in place.

For additional information on industrial cybersecurity measures that may be implemented, please visit <https://www.siemens.com/cybersecurity-industry>.

Siemens' products and solutions undergo continuous development to make them more secure. Siemens strongly recommends that product updates are applied as soon as they are available and that the latest product versions are used. Use of product versions that are no longer supported, and failure to apply the latest updates may increase customer's exposure to cyber threats.

To stay informed about product updates, subscribe to the Siemens Industrial Cybersecurity RSS Feed under <https://www.siemens.com/cert>.

2.3 Cybersecurity-relevant information

Observe all relevant cybersecurity information.

You can find the supported security functions of the module in the Technical Specifications (Page 33) under "Security". The functions are described in detail in the section on industrial cybersecurity in the system manual (<https://support.industry.siemens.com/cs/ww/en/view/58649293>).

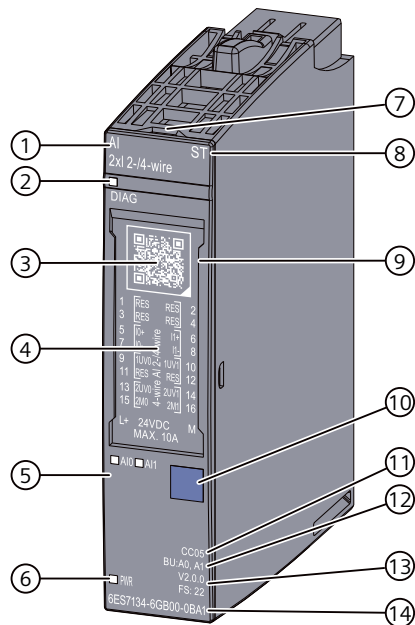
Product overview

3.1 Properties

Article number

6ES7134-6GB00-0BA1

View of the module



- | | | | |
|---|--|---|--|
| ① | Module type and name | ⑧ | Function class |
| ② | LED for diagnostics | ⑨ | Insertion option for optional labeling strips |
| ③ | QR code for identification link | ⑩ | Color coding module type |
| ④ | Wiring diagram | ⑪ | Color code for selecting the color identification labels |
| ⑤ | LEDs for channel status | ⑫ | BU type |
| ⑥ | LED for supply voltage | ⑬ | Firmware revision level and release number |
| ⑦ | Slot for optional equipment labeling plate | ⑭ | Article number |

Figure 3-1 View of the module AI 2xI 2-/4-wire ST

Properties

The module has the following technical properties:

- Analog input module with 2 inputs
- Measuring type current for 2- and 4-wire transducers
- Input ranges for current measurement:
 - 0 mA to 20 mA, resolution 15 bits
 - 4 to 20 mA, resolution 15 bits
 - ± 20 mA, resolution 16 bit incl. sign
- Electrically isolated from supply voltage L+
- Permitted common mode voltage: $10 V_{pp}/3.5 V_{rms}$
- Configurable diagnostics (per module)
- Constant cycle time for processing measured values
 - 500 μs , regardless of the number of channels used and the configuration

The module supports the following functions:

Table 3-1 Version dependencies of the functions

Function	HW version	FW version	STEP 7		GSD file	
			TIA Portal	V5.x	PROFINET IO	PROFIBUS DP
Firmware update	FS01	As of V1.0.0	As of V13 SP1	As of V5.5 SP4 with HSP 0227 as of V6.0	X	X
Identification data I&M0 to I&M3	FS01	As of V1.0.0	As of V13 SP1	As of V5.5 SP4 with HSP 0227 as of V6.0	X	X
Configuration in RUN	FS01	As of V1.0.0	As of V13 SP1	As of V5.5 SP4 with HSP 0227 as of V6.0	X	X
Value status	FS01	As of V1.0.0	As of V13 SP1	As of V5.5 SP4 with HSP 0227 as of V6.0	X	X
PROFenergy	FS01	As of V1.0.0	As of V13 SP1	As of V5.5 SP4 with HSP 0227 as of V6.0	X	X

Accessories

The following accessories must be ordered separately:

- Labeling strips
- Color identification labels
- Equipment labeling plate
- Shield connector

See also

You can find additional information on the accessories in the ET 200SP distributed I/O system (<http://support.automation.siemens.com/WW/view/en/58649293>) system manual.

Wiring

4.1 Connection diagram

This section contains the pin assignments of the module and the various connection types. You can find information on wiring the BaseUnit in the ET 200SP Distributed I/O System Manual (<http://support.automation.siemens.com/WW/view/en/58649293>).

NOTE

You can use and combine the different wiring options for all channels.

NOTE

The load group of the module must begin with a light-colored BaseUnit. Keep this in mind also during the configuration.

Pin assignment

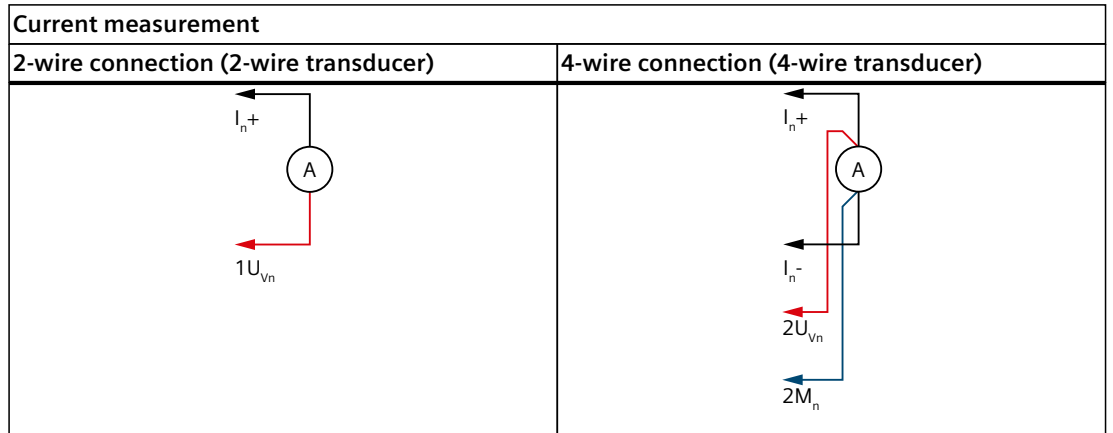
The following table shows an example of the pin assignment of the analog input module on the BaseUnit BU type A0/A1:

Description	Signal	Terminal	BaseUnit BU type A0/A1	Terminal	Signal	Description
-	RES ¹⁾	1		2	RES ¹⁾	-
-	RES ¹⁾	3		4	RES ¹⁾	-
Current input positive, channel 0	I ₀₊	5		6	I ₁₊	Current input positive, channel 1
Current input negative, channel 0	I ₀₋	7		8	I ₁₋	Current input negative, channel 1
Supply voltage (2-WMT), channel 0	1U _{V0}	9		10	1U _{V1}	Supply voltage (2-WMT), channel 1
-	RES ¹⁾	11		12	RES ¹⁾	-
Supply voltage (4-WMT), channel 0	2U _{V0}	13		14	2U _{V1}	Supply voltage (4-WMT), channel 1
Reference potential (4-wire transducer)	2M ₀	15		16	2M ₁	Reference potential (4-wire transducer)
24 V DC supply voltage ²⁾	L+	L+		M	M	Ground

¹⁾ Reserve, must remain unused for future function extensions

²⁾ Infeed only with light-colored BaseUnit

Connection types



4.2 System structure with BaseCarrier

The figure below shows the pinning of the PCB connector of the BaseCarrier in top view.

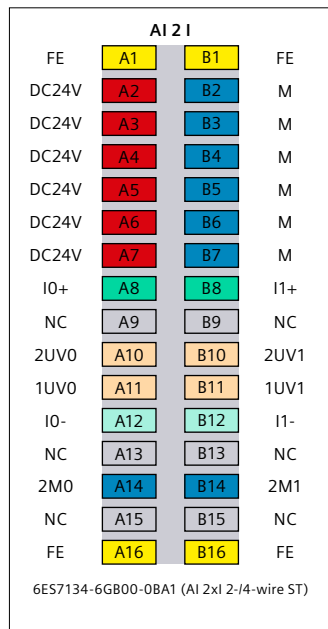


Figure 4-1 Pinning AI 2xI 2-/4-wire ST

You can find more information in the ET 200SP System Structure with BaseCarrier (<https://support.industry.siemens.com/cs/ww/en/view/109988377>) function manual

4.3 Schematic circuit diagram

This section contains the schematic circuit diagram of the analog input module.

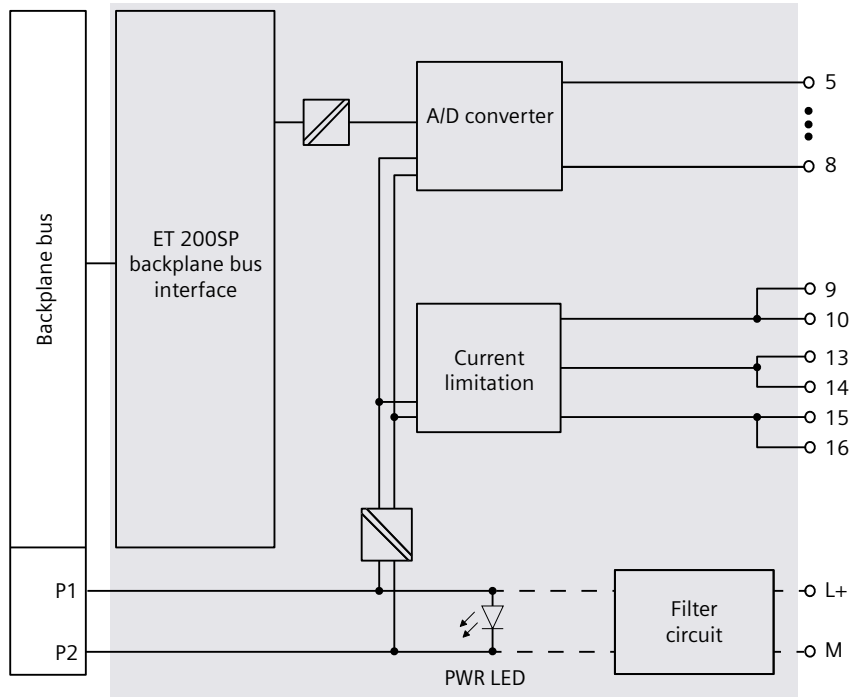


Figure 4-2 Circuit diagram AI 2xI 2-/4-wire ST

Parameters/address space

5.1 Measurement types and measuring ranges

The following table lists the measuring range you can set for the measurement type:

Table 5-1 Measuring ranges

Measurement type	Measuring range	Resolution
Current (2-wire transducer)	0 mA to 20 mA	15 bits
	4 mA to 20 mA	15 bits
Current (4-wire transducer)	0 mA to 20 mA	15 bits
	4 mA to 20 mA	15 bits
	± 20 mA	16 bits incl. sign

You will find the tables of the measuring ranges as well as overflow, overrange, etc., in the section Representation of analog values [\(Page 43\)](#).

5.2 Parameters

Parameters of AI 2xI 2-/4-wire ST

During configuration of the module with STEP 7, define the properties of the module via various parameters. The following table lists the configurable parameters. The effective range of the configurable parameters depends on the type of configuration. The following configurations are possible:

- Central operation with an ET 200SP CPU or on an ET 200SP Open Controller
- Distributed operation on PROFINET IO in an ET 200SP system
- Distributed operation on PROFIBUS DP in an ET 200SP system

In addition to parameter assignment via the configuration software, you can also set the parameters in RUN (dynamically) via the user program.

When assigning parameters in the user program, use the "WRREC" instruction to transfer the parameters to the module using the data records, see section Parameter assignment and structure of the parameter data record [\(Page 39\)](#).

5.2 Parameters

The following parameter settings are possible:

Table 5-2 Configurable parameters and their defaults (GSD file)

Parameter	Range of values	Default	Configura- tion in RUN	Effective range with configura- tion software, e.g. STEP 7 (TIA Portal)	
				GSD file PROFINET IO	GSD file PROFIBUS DP
Diagnostics: No supply voltage L+	<ul style="list-style-type: none"> • Disable • Enable 	Disable	Yes	Module	Module
Diagnostics: Short-circuit to ground	<ul style="list-style-type: none"> • Disable • Enable 	Disable	Yes	Module	Module
Diagnostics: Overflow ¹	<ul style="list-style-type: none"> • Disable • Enable 	Disable	Yes	Module	Module ¹
Diagnostics: Underflow ¹	<ul style="list-style-type: none"> • Disable • Enable 	Disable	Yes	Module	
Diagnostics: Wire break	<ul style="list-style-type: none"> • Disable • Enable 	Disable	Yes	Module	Module
Measurement type/meas- uring range	<ul style="list-style-type: none"> • Disabled • Current (4-wire transducer) 0 to 20 mA • Current (4-wire transducer) 4 to 20 mA • Current (4-wire transducer) +/- 20 mA • Current (2-wire transducer) 0 to 20 mA • Current (2-wire transducer) 4 to 20 mA 	Current (4-wire transducer) 4 to 20 mA	Yes	Channel	Channel
Smoothing	<ul style="list-style-type: none"> • None • Weak • Medium • Strong 	None	Yes	Channel	Channel
Interference frequency suppression ²	<ul style="list-style-type: none"> • 60 Hz (50 ms) • 50 Hz (60 ms) ³ • 16.6 Hz (180 ms) • None 	<ul style="list-style-type: none"> • 50 Hz (60 ms) 	Yes	Channel	Module
Potential group	<ul style="list-style-type: none"> • Use the potential group of the left module (module plugged into a dark-colored BaseUnit) • Enable new potential group (module plugged into a light-colored BaseUnit) 	Use potential group of the left module	No	Module	Module

¹ Due to the limited number of parameters of a maximum of 244 bytes per ET 200SP station with a PROFIBUS GSD configuration, the configuration options are restricted. The parameter length of the I/O module is 4 bytes with PROFIBUS GSD configuration. If necessary, however, you can set these parameters via data record 128; see appendix "Parameter data record".

² The settings in the "Interference frequency suppression" parameter have a direct effect on the conversion time of the channel. The analog value is therefore also affected by additionally set filtering via the "Smoothing" parameter.

³ Interference frequency suppression: Noise at 400 Hz is automatically included in the filtering at 50 Hz.

NOTE

Unused channels

Disable the unused channels in the parameter assignment.

A deactivated channel always returns the value 7FFF_H.

5.3 Description of parameters

Diagnostics: No supply voltage L+

Enabling of the diagnostics for missing or insufficient supply voltage L+.

Diagnostics: Short-circuit to ground

Enabling of the diagnostics in the event of a short-circuit of the encoder supply to ground or of an input to the encoder supply.

The short-circuit and underflow diagnostics can be activated simultaneously. If both diagnostics events occur simultaneously, the short-circuit diagnostics is output.

Diagnostics: Overflow

Enabling of the diagnostics when the measured value exceeds the overrange.

Diagnostics: Underflow

Enabling of the diagnostics when the measured value falls below the underrange.

Diagnostics: Wire break

Enabling of the diagnostics if the module has no current flow or has too little current for the measurement in the range of 4 mA to 20 mA.

The wire break and underflow diagnostics can be activated simultaneously. If both diagnostics events occur simultaneously, the wire break diagnostics is output.

Type/range of measurement

See the section Measurement types and measuring ranges ([Page 21](#)).

Smoothing

The individual measured values are smoothed by filtering. The smoothing can be set in 4 levels.

Smoothing time = Number of conversion cycles (k) x conversion time (\triangleq of the integration time set in the "Interference frequency suppression" parameter) of the channel.

The following figure shows how many conversion cycles it takes for the smoothed analog value to approach 100%, depending on the configured smoothing. This applies to every signal change at the analog input.

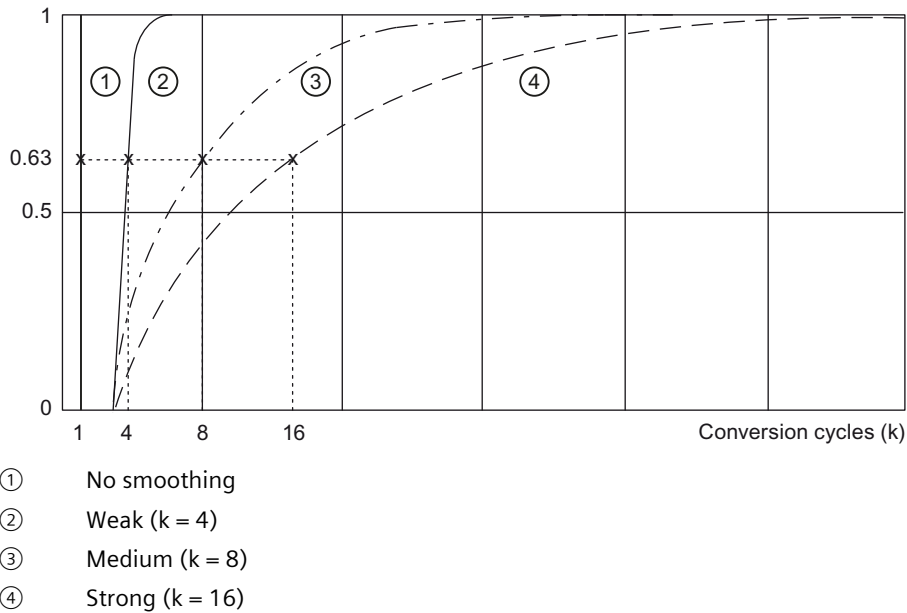


Figure 5-1 Smoothing for AI 2xI 2-/4-wire ST

Interference frequency suppression

Suppresses the interference affecting analog input modules that is caused by the frequency of the AC voltage network used.

The frequency of the AC voltage network can negatively affect the measured value, in particular when measuring in the low voltage range and with thermocouples. With this parameter, the user specifies the line frequency that is predominant in the plant.

NOTE

The interference frequency suppression works parallel to the sampling of channels 0 and 1. The cycle time of the module is 500 μ s regardless of the number of channels used and the configured interference frequency suppression.

Potential group

A potential group consists of a group of directly adjacent I/O modules within an ET 200SP station, which are supplied via a common supply voltage.

A potential group begins with a light-colored BaseUnit through which the required voltage is supplied for all modules of the potential group. The light-colored BaseUnit interrupts the three self-assembling voltage buses P1, P2, and AUX to the left neighbor.

Specify the slot in which a light-colored BaseUnit with supply voltage infeed or a dark-colored BaseUnit is to be located (see ET 200SP Distributed I/O System Manual (<http://support.automation.siemens.com/WW/view/en/58649293>)). All additional I/O modules of this potential group are plugged into dark-colored BaseUnits. You take the potential of the self-assembling voltage buses P1, P2 and AUX from the left neighbor.

The station configuration must be completed with a server module.

See also

You can find additional information in the system manual ET 200SP distributed I/O system (<http://support.automation.siemens.com/WW/view/en/58649293>).

5.4 Address space

The module can be configured in various ways in STEP 7; see the following table. Depending on the configuration, additional/different addresses are assigned in the process image of the inputs.

Configuration options of AI 2xI 2-/4-wire ST

You can configure the module with STEP 7 (TIA Portal) or with a GSD file. When you configure the module by means of the GSD file, the configurations are available under different short designations/module names; see following table. The following configurations are possible:

Table 5-3 Configuration options with GSD file

Configuration	Short designation / module name in the GSD file	Configuration software e.g., with STEP 7 (TIA Portal)	
		GSD file PROFINET IO	GSD file PROFIBUS DP
1 x 2-channel without value status	AI 2xI 2-/4-wire ST V1.0	X	X
1 x 2-channel with value status	AI 2xI 2-/4-wire ST V1.0, QI	X	X
1 x 2-channel without value status	AI 2xI 2-/4-wire ST V2.0	X	X
1 x 2-channel with value status	AI 2xI 2-/4-wire ST V2.0, QI	X	X

Value status (quality information, QI)

The value status is always enabled for the following module names:

- AI 2xI 2-/4-wire ST V1.0, QI
- AI 2xI 2-/4-wire ST V2.0, QI

An additional bit is assigned to each channel for the value status. The bit for the value status indicates whether the input value read in by the user program is valid (0 = value is incorrect).

You can find more information on evaluating the value status in the ET 200SP Distributed I/O System Manual (<https://support.automation.siemens.com/WW/view/en/58649293>).

Address space for configuration as 1 x 2-channel AI 2xI 2-/4-wire ST Vx.x

The table below shows the address space allocation with configuration as a 1 x 2-channel module without value status. You can freely assign the start address for the module. The addresses of the channels are derived from the start address. "IB" stands for input byte.

The table applies to these configurations:

- AI 2xI 2-/4-wire ST V1.0
- AI 2xI 2-/4-wire ST V2.0

Table 5-4 Address space for configuration as 1 x 2-channel AI 2xI 2-/4-wire ST Vx.x

Bit →	Bit 7	Bit 6	Bit 5	Bit 4	Bit 3	Bit 2	Bit 1	Bit 0	Description
Byte ↓									
Assignments in the process image of the inputs (PII)									
IB x									Channel 0 (input CH0)
IB x +1									
IB x +2									Channel 1 (input CH1)
IB x +3									

Address space for configuration as 1 x 2-channel AI 2xI 2-/4-wire ST Vx.x, QI

The table below shows the address space allocation with configuration as a 1 x 2-channel module with value status. You can freely assign the start address for the module. The addresses of the channels are derived from the start address. "IB" stands for input byte.

The table applies to these configurations:

- AI 2xI 2-/4-wire ST V1.0, QI
- AI 2xI 2-/4-wire ST V2.0, QI

Table 5-5 Address space for configuration as 1 x 2-channel AI 2xI 2-/4-wire ST Vx.x, QI

Bit →	Bit 7	Bit 6	Bit 5	Bit 4	Bit 3	Bit 2	Bit 1	Bit 0	Description
Byte ↓									
Assignments in the process image of the inputs (PII)									
IB x									Channel 0 (input CH0)

Bit → Byte ↓	Bit 7	Bit 6	Bit 5	Bit 4	Bit 3	Bit 2	Bit 1	Bit 0	Description
IB x +1									Channel 0 (input CH0)
IB x +2									Channel 1 (input CH1)
IB x +3									
IB x +4	0	0	0	0	0	0	Q1	Q0	Value status (QI) for inputs at channels 0 to 1 (QI0 to QI1)

Interrupts/diagnostics alarms

6.1 Status and error displays

LED displays

The figure below shows the LED displays (status and error displays) of the module.

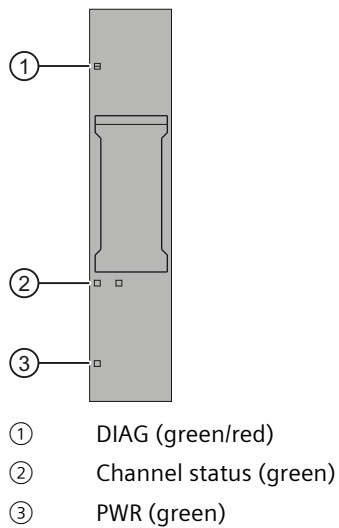


Figure 6-1 LED displays

Meaning of the LEDs

The following tables explain the meaning of the status and error messages. Remedies for diagnostics alarms can be found in section Diagnostics alarms ([Page 31](#)).

DIAG LED

Table 6-1 Error display of the DIAG LED

DIAG	Meaning
□ Off	Backplane bus supply of the system is interrupted or switched off
⚡ Flashes	Module parameters not assigned
■ On	Module parameters assigned and no module diagnostics available
⚡ Flashes	Module parameters assigned and module diagnostics available

Channel status LED

Table 6-2 Status display of the channel status LED

Channel status	Meaning
□ Off	Channel disabled
■ On	Channel activated

PWR LED

Table 6-3 Status display of the PWR LED

PWR	Meaning
□ Off	Missing supply voltage L+
■ On	Supply voltage L+ present

6.2 Interrupts

Introduction

The IO device generates interrupts as a reaction to specific error events. Interrupts are evaluated based on the IO controller used.

Evaluating interrupts with IO controllers

The module supports the following interrupts

- Diagnostics interrupts
- Maintenance events

In the event of an interrupt, interrupt OBs are automatically called in the CPU of the IO controller.

Information on the cause and type of the error is already available, based on the OB number and start information.

Detailed information on the error event can be obtained in the error OB using the instruction "RALRM" (read additional interrupt information).

6.2.1 Triggering of a diagnostics interrupt

Triggering of a diagnostics interrupt

For an incoming or outgoing event (e.g. wire break on a channel of an I/O module), the module triggers a diagnostics interrupt if this is configured accordingly.

The CPU interrupts processing of the user program and processes the diagnostics block OB 82. The event which led to the interrupt is entered in the start information of the OB 82.

6.2.2 Triggering of a maintenance event

Triggering of a maintenance event

For the module, maintenance events signal to the user when a plant component needs to be checked or replaced.

The CPU interrupts the processing of the user program and processes the diagnostic error interrupt OB (OB 82). The event that triggered the maintenance event is entered in the start information of the diagnostic error interrupt OB.

6.3 Alarms

Introduction

The module generates the following alarms:

- Diagnostics alarms
- Maintenance alarms

6.3.1 Diagnostics alarms

A diagnostics alarm is generated and the DIAG LED flashes red on the module for each diagnostics event. You can read out the diagnostics alarms, for example, in the diagnostics buffer of the CPU. You can evaluate the error codes with the user program.

Table 6-4 Diagnostics alarms, their meaning and corrective measures

Diagnostics alarm	Error code	Meaning	Solution
Short-circuit (encoder supply) ¹	1 _H	Encoder supply to ground	Correct interplay between module and encoder
		Input after encoder supply	
Wire break (current 4 to 20 mA)	6 _H	Impedance of encoder circuit too high	Use a different encoder type or modify the wiring, e.g. use cables with larger cross-section
		Wire break between the module and sensor	Connect the cable
		Channel not connected (open)	<ul style="list-style-type: none"> • Deactivate channel • Connect the encoder contacts
High limit violated	7 _H	Value is above the overrange.	Correct interplay between module and encoder
Low limit violated	8 _H	Value is below the underrange.	Correct interplay between module and encoder
Error	9 _H	Internal module error has occurred (diagnostics alarm on channel 0 applies to the entire module).	Replace the module
Parameter assignment error	10 _H	<ul style="list-style-type: none"> • The module cannot evaluate parameters for the channel. • Incorrect parameter assignment. 	Correct the parameter assignment, e.g.: Wire break diagnostics set only with the permitted measuring ranges.
Supply voltage missing	11 _H	Missing or insufficient supply voltage L+	<ul style="list-style-type: none"> • Check the supply voltage L+ at the BaseUnit • Check BaseUnit type
Channel temporarily unavailable	1F _H	Firmware update in progress or update has been canceled. The module does not read any process values in this state.	<ul style="list-style-type: none"> • Wait for firmware update. • Restart the firmware update.

¹ Since the module has no encoder supply for separate channels, a short-circuit in a channel has a permanent effect on the other channel.

NOTE

Diagnostic messages in the measured value of analog input modules

Each analog input module supplies the measured value 7FFF_H or 8000_H depending on the parameter assignment when an error is detected.

6.3.2 Maintenance alarms

For the module, maintenance events signal to the user when a plant component needs to be checked or replaced.

The CPU interrupts the processing of the user program and processes the diagnostic error interrupt OB (OB 82). The event that triggered the maintenance event is entered in the start information of the diagnostic error interrupt OB.

Maintenance required alarms

Every time maintenance required is detected, a maintenance event is generated. However, it has no influence on the LED DIAG on the module.

NOTE


Maintenance alarms have no direct influence on the function of the module.

Table 6-5 Maintenance required alarms, their meaning and possible remedies

Maintenance required alarm	Error code	Meaning / Cause	Solution
Security event: Firmware successfully downloaded and activated for use after a reset	0191 _H	The firmware was successfully loaded into the module. This firmware update takes effect after the module is restarted.	-
Security event: Firmware integrity checks failed.	0192 _H	The firmware was not successfully loaded into the module. This can have many different reasons, e.g. corrupted binary files or an incorrect signature.	Verify if the firmware update file you are using comes from a secure source. Download the firmware again from the Siemens support website and repeat the firmware update.

System events in STEP 7 (TIA Portal)

The maintenance information is generated in STEP 7 (TIA Portal) with the following system events:

- Maintenance required - indicated for each port by a wrench with a green background  in the device view or in the hardware configuration.

You can find more information in the STEP 7 online help.

Technical specifications

7.1 Technical specifications

Technical specifications of AI 2xI 2-/4-wire ST

The following table lists the technical specifications on the issue date. You will find a data sheet including daily updated technical specifications on the Internet

(<https://support.industry.siemens.com/cs/ww/de/pv/6ES7134-6GB00-0BA1/td?dl=en>).

Article number	6ES7134-6GB00-0BA1
General information	
Product type designation	AI 2xI 2-/4-wire ST
HW functional status	FS22 or higher
Firmware version	V2.0.0
<ul style="list-style-type: none"> FW update possible 	Yes
usable BaseUnits	BU type A0, A1
Color code for module-specific color-coded label	CC05
Product function	
<ul style="list-style-type: none"> I&M data 	Yes; I&M0 to I&M3
<ul style="list-style-type: none"> Isochronous mode 	No
<ul style="list-style-type: none"> Measuring range scalable 	No
Engineering with	
<ul style="list-style-type: none"> STEP 7 TIA Portal configurable/integrated from version 	V21 HSP0492 / integrated as of V21.1
<ul style="list-style-type: none"> STEP 7 configurable/integrated from version 	V5.7 SP3 HF3 with HSP0348 V2.0 / integrated as of V5.8
<ul style="list-style-type: none"> PROFIBUS from GSD version/GSD revision 	One GSD file each, Revision 3 and 5 and higher
<ul style="list-style-type: none"> PROFINET from GSD version/GSD revision 	GSDML V2.45
Operating mode	
<ul style="list-style-type: none"> Oversampling 	No
<ul style="list-style-type: none"> MSI 	No
CiR - Configuration in RUN	
Reparameterization possible in RUN	Yes
Calibration possible in RUN	No

Article number	6ES7134-6GB00-0BA1
Supply voltage	
Rated value (DC)	24 V
permissible range, lower limit (DC)	19.2 V
permissible range, upper limit (DC)	28.8 V
Reverse polarity protection	Yes
Input current	
Current consumption (rated value)	37.5 mA
Current consumption, max.	245 mA; with encoder supply
Encoder supply	
24 V encoder supply	
• 24 V	Yes
• Short-circuit protection	Yes
• Output current, max.	50 mA; Total current for both channels (two-wire)
Additional 24 V encoder supply	
• 24 V	Yes
• Short-circuit protection	Yes; module-wise
• Output current, max.	200 mA; Total current for both channels (four-wire)
Power loss	
Power loss, typ.	0.9 W; rated voltage, 50 % active channels, 50 % of range
Address area	
Address space per module	
• Address space per module, max.	4 byte; + 1 byte for QI information
Hardware configuration	
Automatic encoding	Yes
• Mechanical coding element	Yes
• Type of mechanical coding element	Type A
Selection of BaseUnit for connection variants	
• 1-wire connection	BU type A0, A1
• 2-wire connection	BU type A0, A1
• 4-wire connection	BU type A0, A1
Analog inputs	
Number of analog inputs	2
• For current measurement	2
permissible input current for current input (destruction limit), max.	50 mA
Cycle time (all channels), min.	500 µs
Input ranges (rated values), currents	
• 0 to 20 mA	Yes; 15 bit
– Input resistance (0 to 20 mA)	130 Ω; 90 ohms with two wires

Article number	6ES7134-6GB00-0BA1
<ul style="list-style-type: none"> -20 mA to +20 mA <ul style="list-style-type: none"> Input resistance (-20 mA to +20 mA) 4 mA to 20 mA <ul style="list-style-type: none"> Input resistance (4 mA to 20 mA) 	<p>Yes; 16 bit incl. sign</p> <p>130 Ω</p> <p>Yes; 15 bit</p> <p>130 Ω; 90 ohms with two wires</p>
Cable length	
<ul style="list-style-type: none"> shielded, max. 	1 000 m
Analog value generation for the inputs	
Measurement principle	Sigma Delta
Integration and conversion time/resolution per channel	
<ul style="list-style-type: none"> Resolution with overrange (bit including sign), max. Integration time, parameterizable Interference voltage suppression for interference frequency f1 in Hz Conversion time (per channel) 	<p>16 bit</p> <p>Yes</p> <p>16.6 / 50 / 60 Hz / off</p> <p>50 ms @ 60 Hz, 60 ms @ 50 Hz, 180 ms @ 16.6 Hz, 500 μs without filter</p>
Smoothing of measured values	
<ul style="list-style-type: none"> Number of smoothing levels parameterizable Step: None Step: low Step: Medium Step: High 	<p>4</p> <p>Yes</p> <p>Yes; 1x conversion time</p> <p>Yes; 4x conversion time</p> <p>Yes; 8x conversion time</p> <p>Yes; 16x conversion time</p>
Encoder	
Connection of signal encoders	
<ul style="list-style-type: none"> for current measurement as 2-wire transducer <ul style="list-style-type: none"> Burden of 2-wire transmitter, max. for current measurement as 4-wire transducer 	<p>Yes</p> <p>650 Ω</p> <p>Yes</p>
Errors/accuracies	
Linearity error (relative to input range), (+/-)	0.01 %
Temperature error (relative to input range), (+/-)	0.005 %/K
Crosstalk between the inputs, min.	-50 dB
Repeat accuracy in steady state at 25 °C (relative to input range), (+/-)	0.05 %
Operational error limit in overall temperature range	
<ul style="list-style-type: none"> Current, relative to input range, (+/-) 	0.5 %

Article number	6ES7134-6GB00-0BA1
Basic error limit (operational limit at 25 °C)	
<ul style="list-style-type: none"> Current, relative to input range, (+/-) 	0.3 %
Interference voltage suppression for $f = n \times (f_1 \pm 1 \%)$, $f_1 =$ interference frequency	
<ul style="list-style-type: none"> Series mode interference (peak value of interference < rated value of input range), min. 	70 dB
<ul style="list-style-type: none"> Common mode voltage, max. 	10 V
<ul style="list-style-type: none"> Common mode interference, min. 	90 dB
Interrupts/diagnostics/status information	
Diagnostics function	Yes
Alarms	
<ul style="list-style-type: none"> Diagnostic alarm 	Yes
<ul style="list-style-type: none"> Limit value alarm 	No
Diagnoses	
<ul style="list-style-type: none"> Monitoring the supply voltage 	Yes
<ul style="list-style-type: none"> Wire break 	Yes; at 4 to 20 mA
<ul style="list-style-type: none"> Short-circuit 	Yes; Short-circuit of the encoder supply
<ul style="list-style-type: none"> Group error 	Yes
<ul style="list-style-type: none"> Overflow/Underflow 	Yes
Diagnostics indication LED	
<ul style="list-style-type: none"> Monitoring of the supply voltage (PWR-LED) 	Yes; green PWR LED
<ul style="list-style-type: none"> Channel status display 	Yes; green LED
<ul style="list-style-type: none"> for channel diagnostics 	No
<ul style="list-style-type: none"> for module diagnostics 	Yes; green/red DIAG LED
Potential separation	
Potential separation channels	
<ul style="list-style-type: none"> between the channels 	No
<ul style="list-style-type: none"> between the channels and backplane bus 	Yes
<ul style="list-style-type: none"> between the channels and the power supply of the electronics 	Yes
Permissible potential difference	
between the inputs (UCM)	10 Vpp
Isolation	
Isolation tested with	707 V DC (type test)
Security	
signed firmware update	Yes; firmware V2.0.0 or higher
Ambient conditions	
Ambient temperature during operation	
<ul style="list-style-type: none"> horizontal installation, min. 	-30 °C; < 0 °C as of FS04

Article number	6ES7134-6GB00-0BA1
<ul style="list-style-type: none"> • horizontal installation, max. • vertical installation, min. • vertical installation, max. 	<p>60 °C</p> <p>-30 °C; < 0 °C as of FS04</p> <p>50 °C</p>
Altitude during operation relating to sea level	
<ul style="list-style-type: none"> • Installation altitude above sea level, max. 	5 000 m; Restrictions for installation altitudes > 2 000 m, see manual
Absolute humidity	
<ul style="list-style-type: none"> • dew point, min. 	-60 °C; suitable for dry room applications
Dimensions	
Width	15 mm
Height	73 mm
Depth	58 mm
Weights	
Weight, approx.	32 g

See also

ET 200SP BaseUnits (<http://support.automation.siemens.com/WW/view/en/59753521>)

Parameter data record

A.1 Dependencies when configuring with GSD file

When configuring the module with a GSD file, remember that the settings of some parameters are dependent on each other.

Configuring with a PROFINET GSD file

The table lists the properties and their dependencies on the measurement type and measuring range for PROFINET.

Measurement type	Measuring range	Diagnostics				
		No supply voltage L+	Short-circuit to ground	Overflow	Underflow	Wire break
Deactivated		*	*	*	*	*
Current (4-wire transducer)	0 mA to 20 mA	x	x	x	x	-
	4 mA to 20 mA	x	x	x	x	x
	±20 mA	x	x	x	x	-
Current (2-wire transducer)	0 mA to 20 mA	x	x	x	-	-
	4 mA to 20 mA	x	x	x	x	x

x = Property is allowed, - = Property is **not allowed**, * = Property is not relevant

Configuring with a PROFIBUS GSD file

The table lists the properties and their dependencies on the measurement type and measuring range for PROFIBUS.

Measurement type	Measuring range	Diagnostics			
		No supply voltage L+	Short-circuit to ground	Overflow/underflow	Wire break
Deactivated		*	*	*	*
Current (4-wire transducer)	0 mA to 20 mA	x	x	x	-
	4 mA to 20 mA	x	x	x	x
	+/- 20 mA	x	x	x	-
Current (2-wire transducer)	0 mA to 20 mA	x	x	x	-
	4 mA to 20 mA	x	x	x	x

x = Property is allowed, - = Property is **not allowed**, * = Property is not relevant

A.2 Parameter assignment and structure of the parameter data record

The data record of the module has an identical structure, regardless of whether you configure the module with PROFIBUS DP or PROFINET IO. With data record 128, you can reconfigure the module in your user program regardless of your programming. This means that you can use all the functions of the module even if you configured it via PROFIBUS-GSD.

Parameter assignment in the user program

You can reassign the module parameters in RUN. For example, the voltage or current values of selected channels can be changed in RUN without having an effect on the other channels.

Changing parameters in RUN

The "WRREC" instruction is used to transfer the parameters to the module using data record 128. The parameters set in STEP 7 are not changed in the CPU, which means that the parameters set in STEP 7 will be valid again after a restart.

Output parameter STATUS

The module ignores errors that occur during the transfer of parameters with the "WRREC" instruction and continues operation with the previous parameter assignment. The STATUS output parameter contains a corresponding error code.

You will find a description of the "WRREC" instruction and the error codes in the STEP 7 online help.

Structure of data record 128

The following table shows the structure of data record 128.

NOTE

Channel 0 includes the diagnostics enable for the entire module.

Table A-1 Structure of data record 128

Bit →	Bit 7	Bit 6	Bit 5	Bit 4	Bit 3	Bit 2	Bit 1	Bit 0
Byte ↓								
0...1	Header information							
0	Reserved ¹		Major Version = 00 _B		Minor Version = 0000 _B			
1	Length of a channel parameter block = 18 _D (0001 0010 _B)							
2...19	Channel 0 channel parameter block							
2	Measurement type BYTE: See table Coding for measurement types (Page 41)							

¹ Reserved bits must be set to 0

Parameter data record

A.2 Parameter assignment and structure of the parameter data record

Bit →	Bit 7	Bit 6	Bit 5	Bit 4	Bit 3	Bit 2	Bit 1	Bit 0
Byte ↓								
3	Measuring range BYTE: See table Coding for measuring ranges (Page 41)							
4	Reserved ¹							
5	Interference frequency suppression				Smoothing			
	0001 _B : 60 Hz (50 ms) 0010 _B : 50 Hz (60 ms) 0100 _B : 16.6 Hz (180 ms) 1111 _B : None				0000 _B : None 0001 _B : Weak 0010 _B : Medium 0011 _B : Strong			
6	Reserved ¹							
7	Reserved ¹							
8	Diagnostics overflow	Diagnostics Underflow	Reserved ¹	Diagnostics: Wire break	Reserved ¹	Diagnostics: Short-circuit to ground	Reserved ¹	Diagnostics: Missing supply voltage L+
	0 _B : Disabled 1 _B : Enabled	0 _B : Disabled 1 _B : Enabled		0 _B : Disabled 1 _B : Enabled		0 _B : Disabled 1 _B : Enabled		0 _B : Disabled 1 _B : Enabled
9	Reserved ¹							
10	Reserved ¹							
11	Reserved ¹							
12	Reserved ¹							
13	Reserved ¹							
14	Reserved ¹							
15	Reserved ¹							
16	Reserved ¹							
17	Reserved ¹							
18	Reserved ¹							
19	Reserved ¹							
20...37	Channel 1 channel parameter block							

¹ Reserved bits must be set to 0

A.3 Coding for measurement types

Codes for measurement types

The following table contains the codes for the measuring types of the analog input module.

Table A-2 Codes for measurement types

Measurement type	Code
Disabled	0000 0000
Current, 4-wire transducer	0000 0010
Current, 2-wire transducer	0000 0011

A.4 Coding for measuring ranges

Codes for measuring ranges

The following table contains the coding for the measuring ranges of the analog input module.

Table A-3 Codes for measuring ranges

Measuring range	Coding
Current	
0 mA to 20 mA	0000 0010
4 mA to 20 mA	0000 0011
±20 mA	0000 0100

A.5 Error transferring the data record

Error transmitting the data record

The module always checks all the values of the transferred data record. The module applies the values from the data record only when all values have been transmitted without errors.

The WRREC instruction for writing data records returns corresponding error codes when errors occur in the STATUS parameter, see also the description of the "STATUS" parameter in the STEP 7 online help.

The following table shows the module-specific error codes and their meaning for parameter data record 128.

Error code in STATUS parameter (hexadecimal)				Meaning	Solution
Byte 0	Byte 1	Byte 2	Byte 3		
DF	80	B0	xx	Number of the data record unknown.	Enter valid number for data record.
DF	80	B1	xx	Length of the data record incorrect.	Enter valid value for data record length.

A.5 Error transferring the data record

Error code in STATUS parameter (hexadecimal)				Meaning	Solution
Byte 0	Byte 1	Byte 2	Byte 3		
DF	80	B2	xx	Module cannot be reached.	<ul style="list-style-type: none"> • Check station • Plug the module in correctly. • Check the parameters of the WRREC block.
DF	80	l0	xx	Wrong version or error in the header information.	Correct the version, length and number of parameter blocks.
DF	80	l1	xx	Parameter error	Check the parameters of the module.

Representation of analog values

B.1 Representation of analog values for analog inputs

This appendix shows the analog values for all measuring ranges that you can use with the analog module.

Measured value resolution

The resolution of the analog values differs depending on the analog module and its parameter assignment.

The table below shows the representation of binary analog values and of the associated decimal and hexadecimal units of the analog values.

Each analog value is written left aligned to the tags. The bits marked with "x" are set to "0".

Table B-1 Resolution of the analog values

Resolution in bits including sign	Values		Analog value	
	Decimal	Hexadecimal	High byte	Low byte
15	2	2 _H	Sign 0 0 0 0 0 0 0	0 0 0 0 0 0 1 x
16	1	1 _H	Sign 0 0 0 0 0 0 0	0 0 0 0 0 0 0 1

B.2 Representation of input ranges

In the following tables, you can find the digitized representation of the bipolar and unipolar input ranges. The resolution is 16 bits.

Table B-2 Bipolar input ranges

Dec. value	Measured value in %	Data word																Range	
		2 ¹⁵	2 ¹⁴	2 ¹³	2 ¹²	2 ¹¹	2 ¹⁰	2 ⁹	2 ⁸	2 ⁷	2 ⁶	2 ⁵	2 ⁴	2 ³	2 ²	2 ¹	2 ⁰		
32767	>117.589	0	1	1	1	1	1	1	1	1	1	1	1	1	1	1	1	1	Overflow
32511	117.589	0	1	1	1	1	1	1	0	1	1	1	1	1	1	1	1	1	Overrange
27649	100.004	0	1	1	0	1	1	0	0	0	0	0	0	0	0	0	0	1	
27648	100.000	0	1	1	0	1	1	0	0	0	0	0	0	0	0	0	0	0	Nominal range
1	0.003617	0	0	0	0	0	0	0	0	0	0	0	0	0	0	0	0	1	
0	0.000	0	0	0	0	0	0	0	0	0	0	0	0	0	0	0	0	0	
-1	-0.003617	1	1	1	1	1	1	1	1	1	1	1	1	1	1	1	1	1	
-27648	-100.000	1	0	0	1	0	1	0	0	0	0	0	0	0	0	0	0	0	

Dec. value	Measured value in %	Data word															Range	
-27649	-100.004	1	0	0	1	0	0	1	1	1	1	1	1	1	1	1	1	Underrange
-32512	-117.593	1	0	0	0	0	0	0	1	0	0	0	0	0	0	0	0	Underflow
-32768	<-117.593	1	0	0	0	0	0	0	0	0	0	0	0	0	0	0	0	

Table B-3 Unipolar input ranges

Dec. value	Measured value in %	Data word																Range
		2 ¹⁵	2 ¹⁴	2 ¹³	2 ¹²	2 ¹¹	2 ¹⁰	2 ⁹	2 ⁸	2 ⁷	2 ⁶	2 ⁵	2 ⁴	2 ³	2 ²	2 ¹	2 ⁰	
32767	>117.589	0	1	1	1	1	1	1	1	1	1	1	1	1	1	1	1	Overflow
32511	117.589	0	1	1	1	1	1	1	0	1	1	1	1	1	1	1	1	Overrange
27649	100.004	0	1	1	0	1	1	0	0	0	0	0	0	0	0	0	1	
27648	100.000	0	1	1	0	1	1	0	0	0	0	0	0	0	0	0	0	Nominal range
1	0.003617	0	0	0	0	0	0	0	0	0	0	0	0	0	0	0	1	
0	0.000	0	0	0	0	0	0	0	0	0	0	0	0	0	0	0	0	
-1	-0.003617	1	1	1	1	1	1	1	1	1	1	1	1	1	1	1	1	Underrange
-4864	-17.593	1	1	1	0	1	1	0	1	0	0	0	0	0	0	0	0	
-32768	<-17.593	1	0	0	0	0	0	0	0	0	0	0	0	0	0	0	0	Underflow

B.3 Representation of analog values in the current measuring ranges

The following tables list the decimal and hexadecimal values (codes) of the possible current measuring ranges.

Table B-4 Current measuring range ± 20 mA

Values		Current measuring range	Range
Dec.	Hex.	± 20 mA	
32767	7FFF	> 23.52 mA	Overflow
32511	7EFF	23.52 mA	Overrange
27649	6C01		
27648	6C00	20 mA	Nominal range
20736	5100	15 mA	
1	1	723.4 nA	
0	0	0 mA	
-1	FFFF		
-20736	AF00	-15 mA	
-27648	9400	-20 mA	
-27649	93FF		Underrange
-32512	8100	-23.52 mA	
-32768	8000	< -23.52 mA	Underflow

B.3 Representation of analog values in the current measuring ranges

Table B-5 Current measuring ranges 0 to 20 mA and 4 to 20 mA

Values		Current measuring range		Range
Dec.	Hex.	0 to 20 mA*	4 to 20 mA	
32767	7FFF	> 23.52 mA	> 22.81 mA	Overflow
32511	7EFF	23.52 mA	22.81 mA	Overrange
27649	6C01			
27648	6C00	20 mA	20 mA	Nominal range
20736	5100	15 mA	16 mA	
1	1	723.4 nA	4 mA + 578.7 nA	
0	0	0 mA	4 mA	
-1	FFFF			
-4864	ED00	-3.52 mA	1.185 mA	Underrange
-32768	8000	< -3.52 mA	< 1.185 mA	Underflow

* For measurement type "2-wire transducer", negative values are not possible for the range "0 to 20 mA". Therefore, no underrange or underflow exists here.